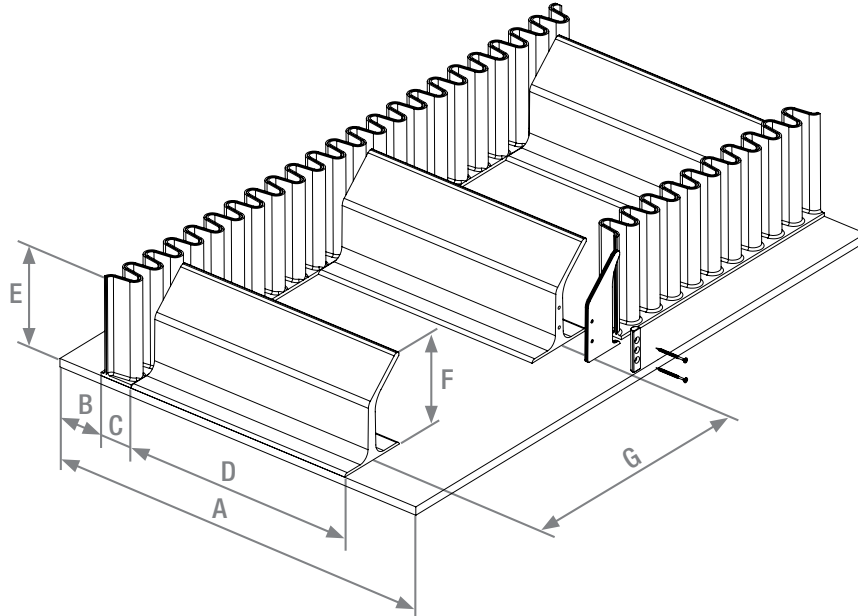




Questionnaire

Customer

Reference	
Mail	
Quantity	



Belt dimensions

	u.m.	value
A	mm	
B	mm	
C	mm	
D	mm	
E	mm	
F	mm	
G	mm	

	u.m.	value
Belt length	mm	
Fix		<input type="checkbox"/> yes <input type="checkbox"/> no
Blinkers		<input type="checkbox"/> yes <input type="checkbox"/> no
Endless closed		<input type="checkbox"/> yes <input type="checkbox"/> no
Endless prepared		<input type="checkbox"/> one side <input type="checkbox"/> no

Note

<input type="checkbox"/> Cleat "TC"	
<input type="checkbox"/> Cleat "T"	
<input type="checkbox"/> Cleat "C"	

Technical remarks

Belts

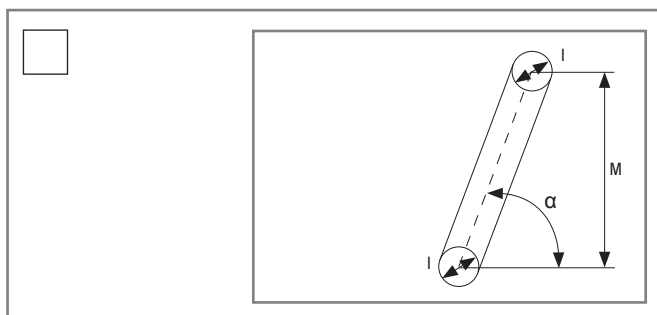
	u.m.	value
Base belt		
Rubber quality		

Material

	u.m.	value
Materials to be conveyed		
Bulk density		
Lump size	mm	
Temperature	C°	

System dimensions

	u.m.	value
Installation	<input type="checkbox"/> existing <input type="checkbox"/> new	
Belt speed	m/min	
H	mm	
I	mm	
L	mm	
M	mm	
N	mm	
α	°	
β_1	°	
β_2	°	



Capacity

	u.m.	value
Mass flow	t/h	
Volume flow	m³/h	

	u.m.	value
Moisture	%	
Oil presence	<input type="checkbox"/> yes <input type="checkbox"/> no	
Chemicals presence	<input type="checkbox"/> yes <input type="checkbox"/> no	

